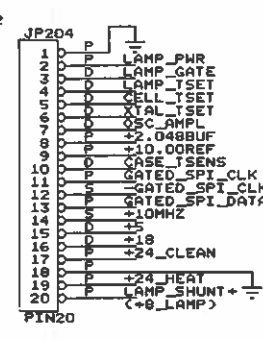
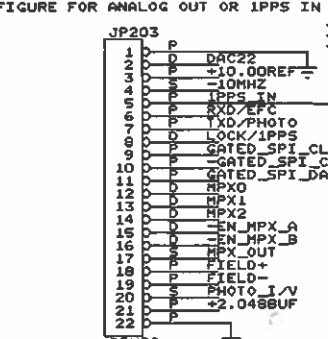
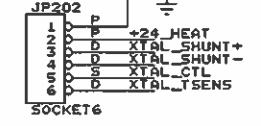
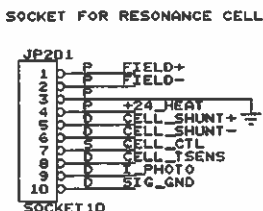
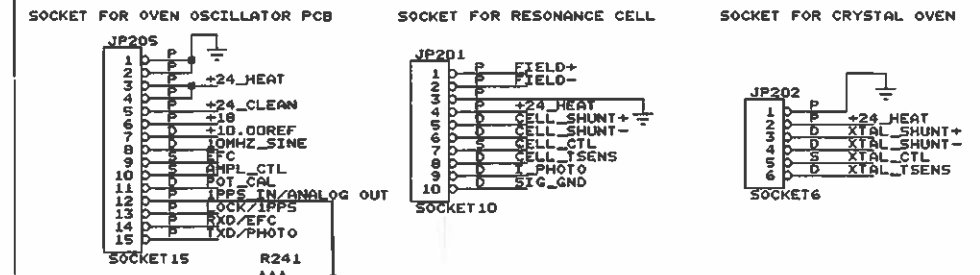
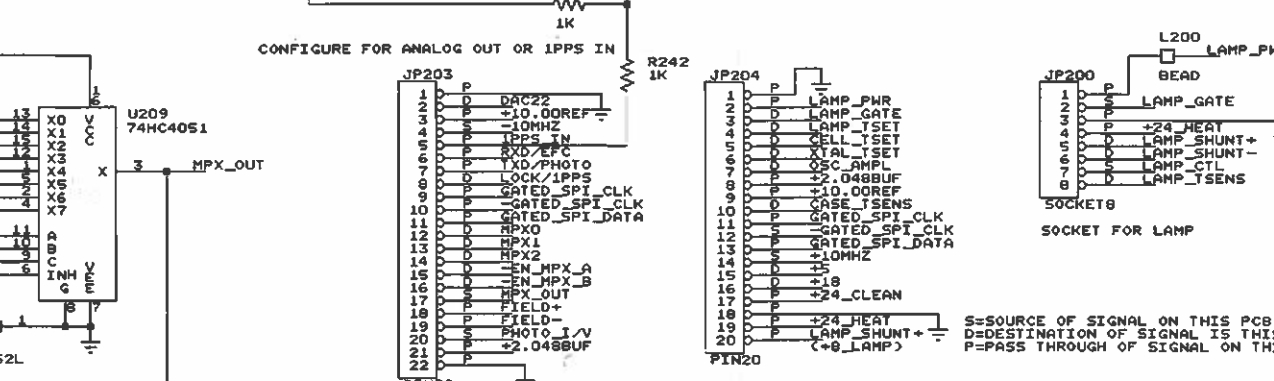
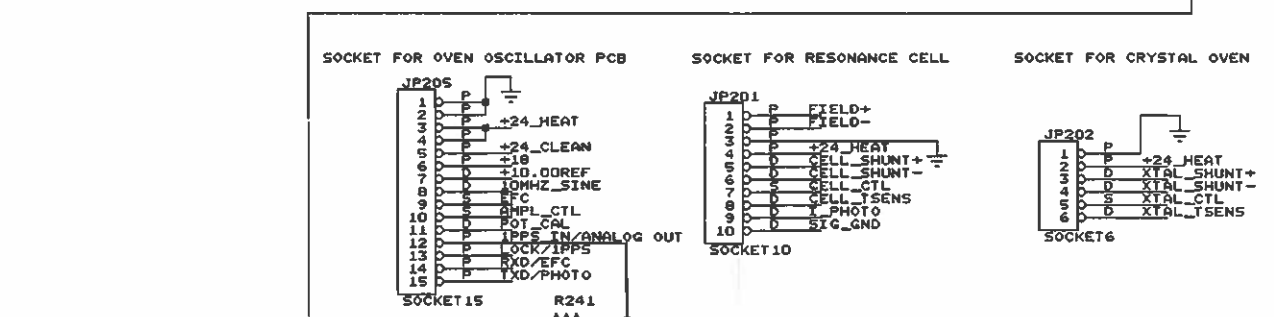
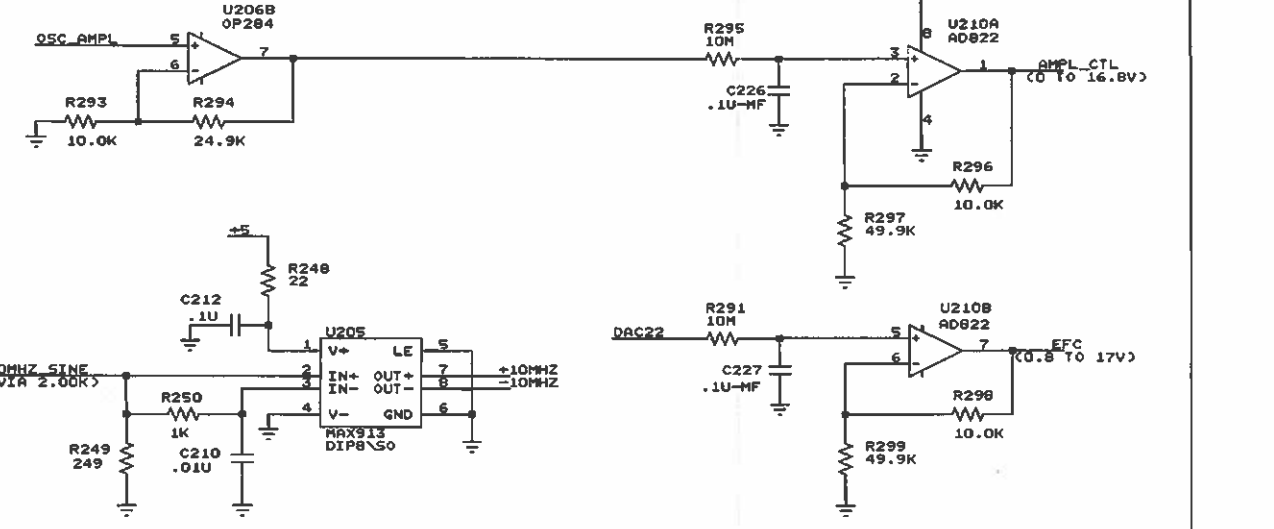
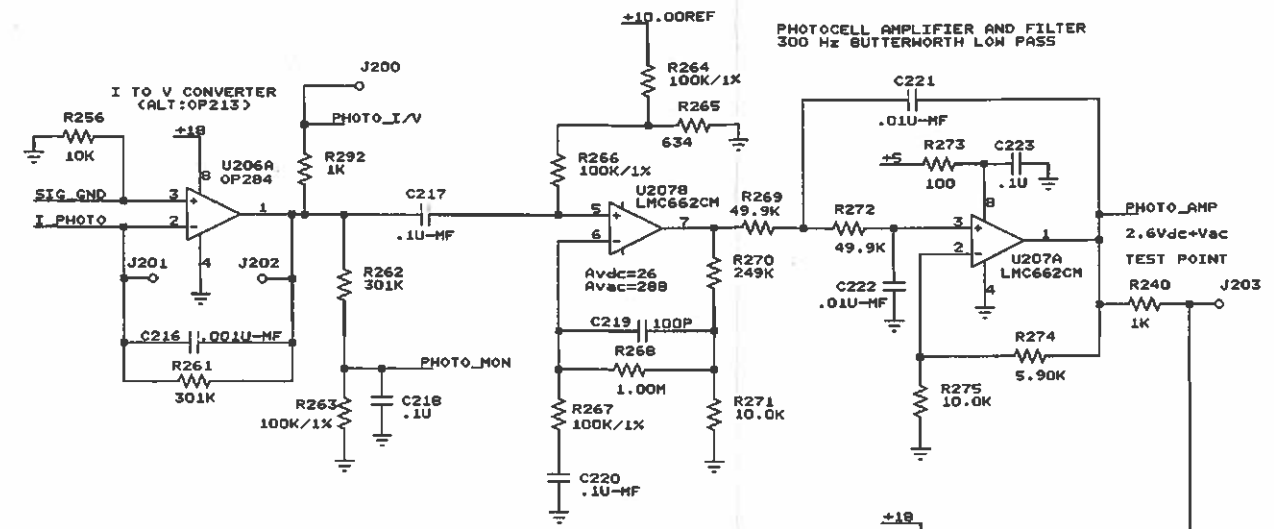
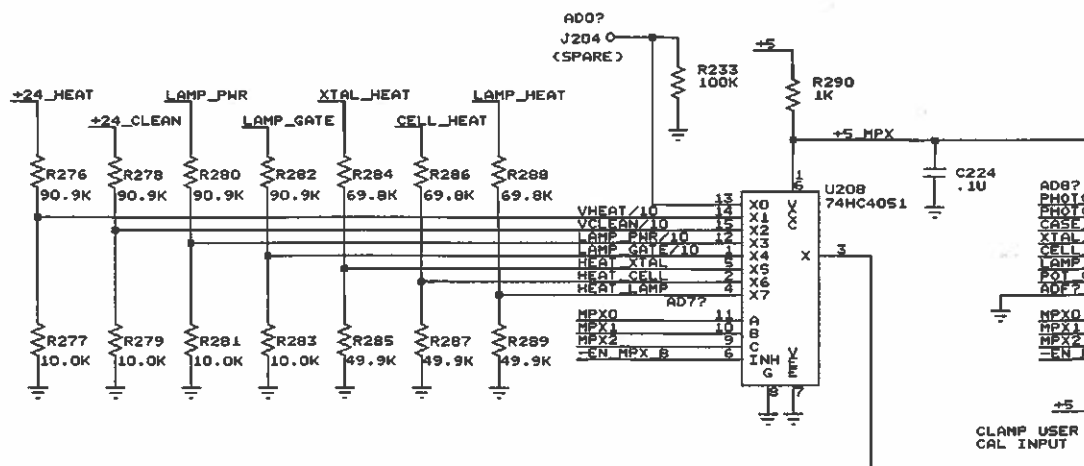
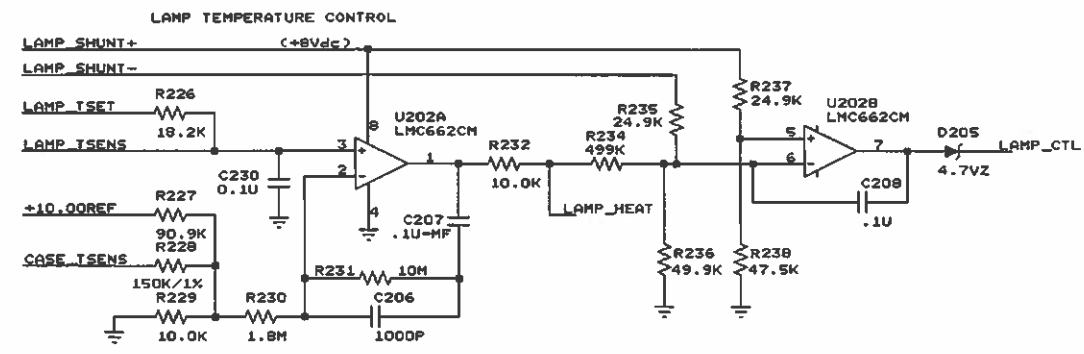
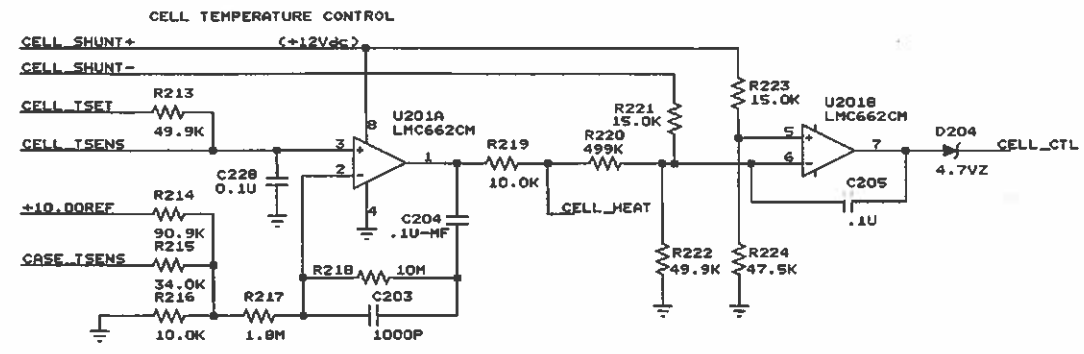
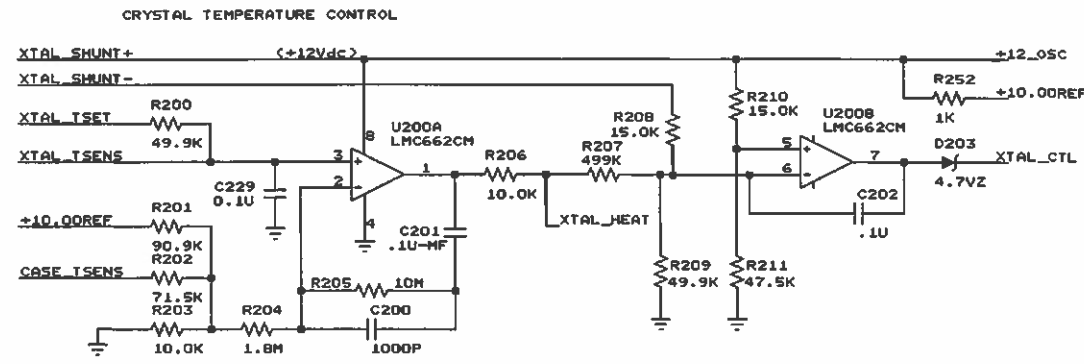


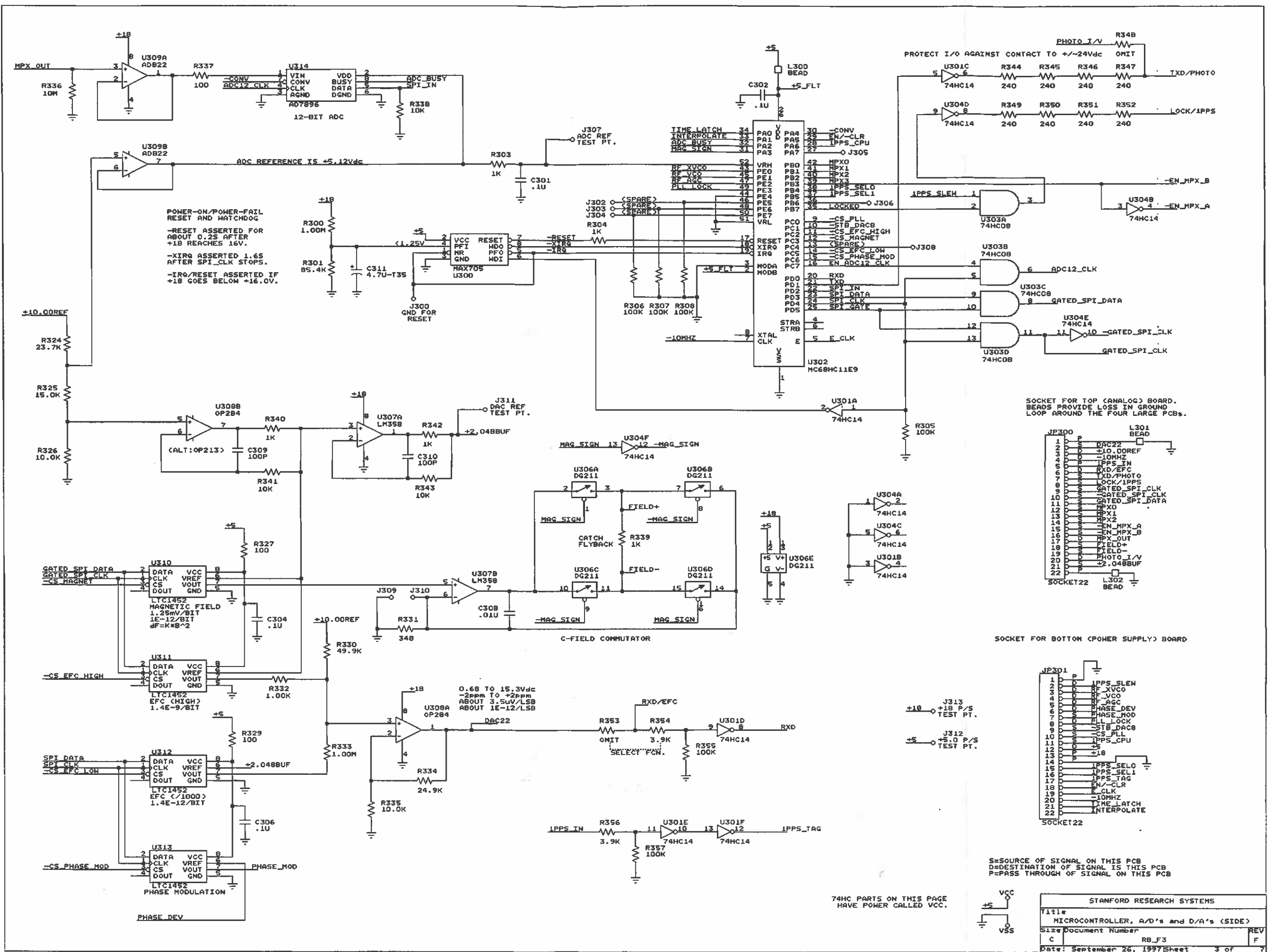
UNLESS OTHERWISE NOTED:

- 1.) ALL CAPS LESS THAN OR EQUAL TO 1000 pF ARE NPO
- 2.) CAPS BETWEEN 1000PF AND .1uF ARE X7R
- 3.) SMD SIZE 1206 (FOR 1/8W POWER RATING FOR RESISTORS)

S=SOURCE OF SIGNAL ON THIS PCB  
 D=DESTINATION OF SIGNAL IS THIS PCB  
 P=PASS THROUGH OF SIGNAL ON THIS PCB

STANFORD RESEARCH SYSTEMS		
Title	10MHz OVENIZED OSCILLATOR	
Size Document Number	RB_F1	REV
C		F
Date: September 26, 1997	Sheet	1 of 7





POWER-ON/POWER-FAIL RESET AND WATCHDOG  
 -RESET ASSERTED FOR ABOUT 0.25 AFTER +18 REACHES 16V.  
 -XIRQ ASSERTED 1.65 AFTER SPI\_CLK STOPS.  
 -I/O/RESET ASSERTED IF +18 GOES BELOW +16.0V.

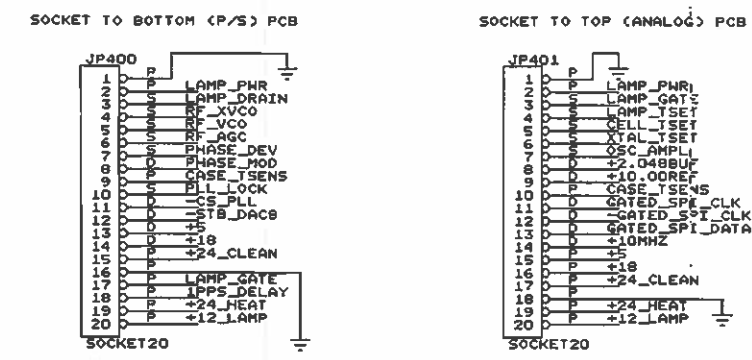
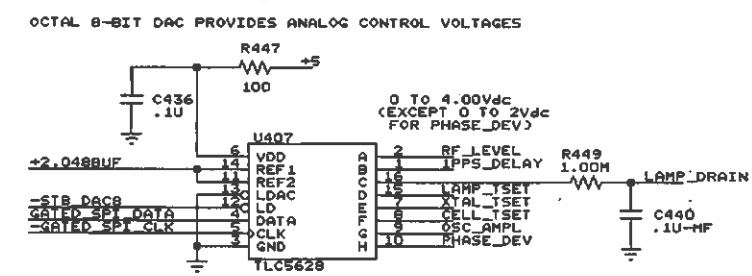
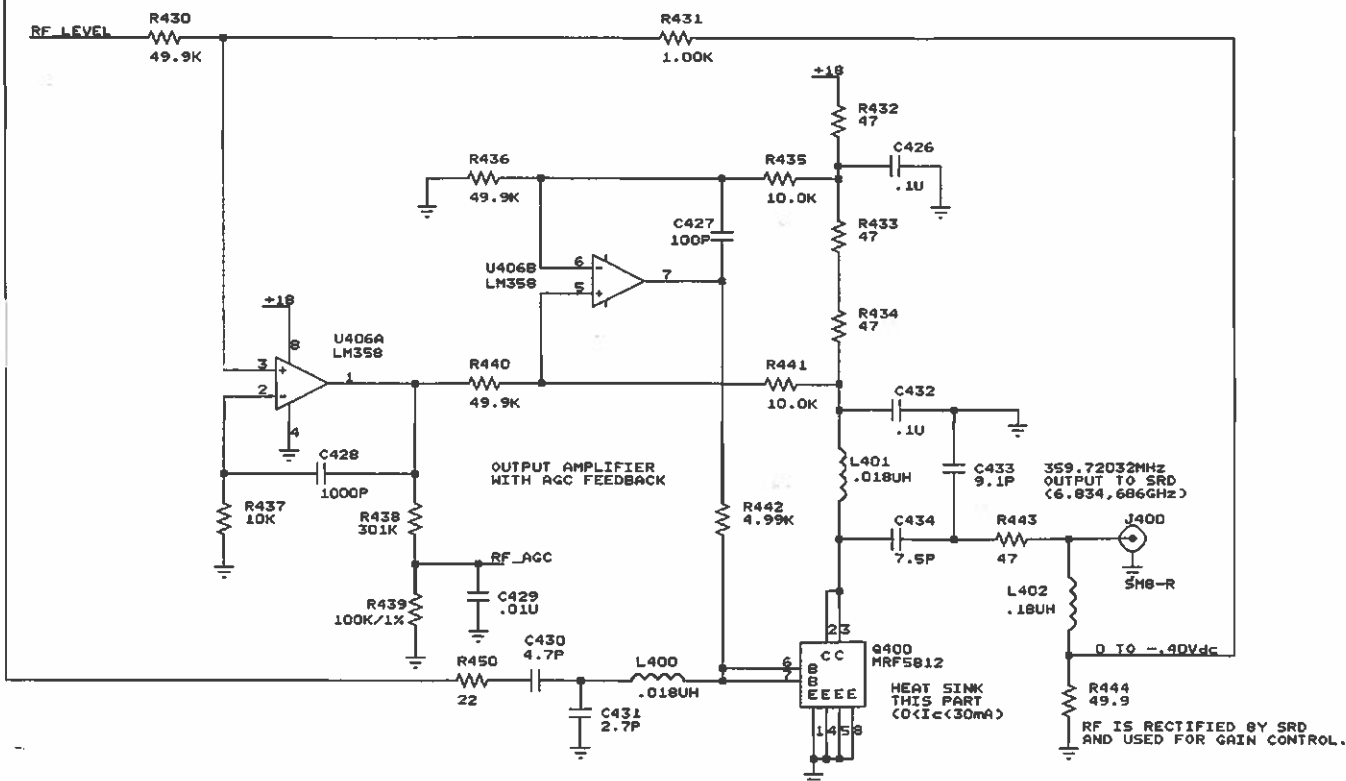
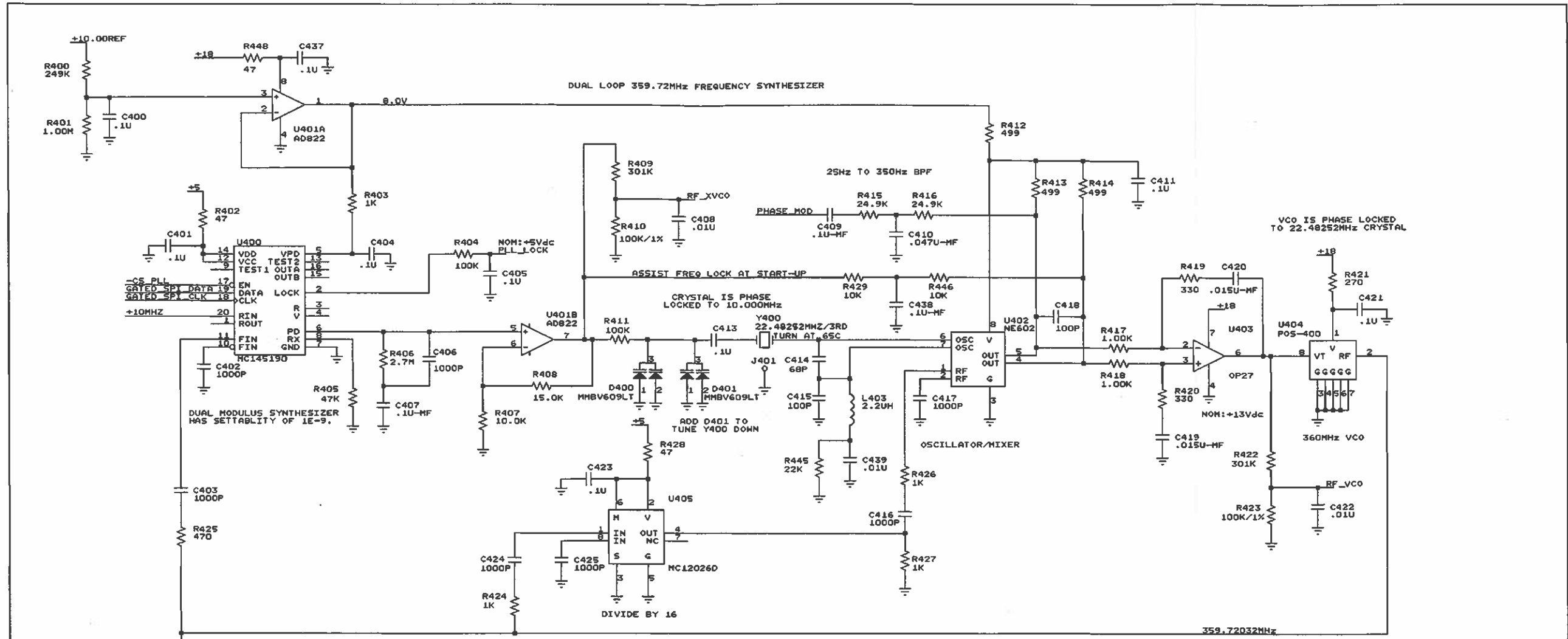
SOCKET FOR TOP (ANALOG) BOARD.  
 BEADS PROVIDE LOSS IN GROUND LOOP AROUND THE FOUR LARGE PCBs.

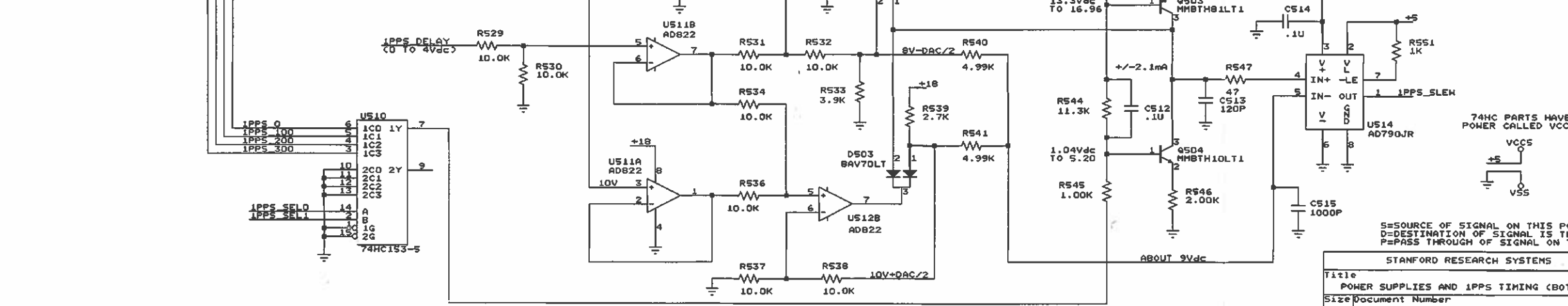
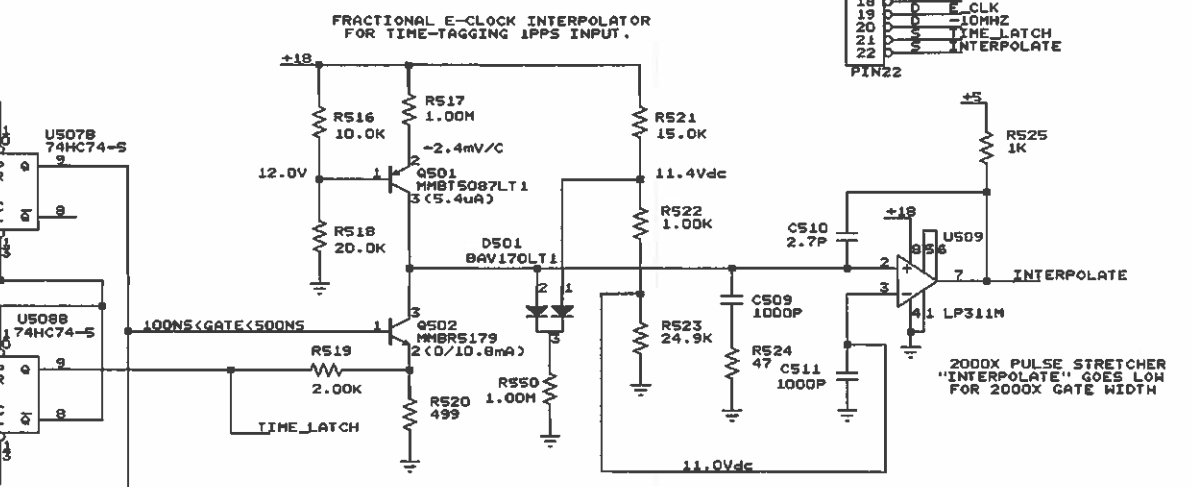
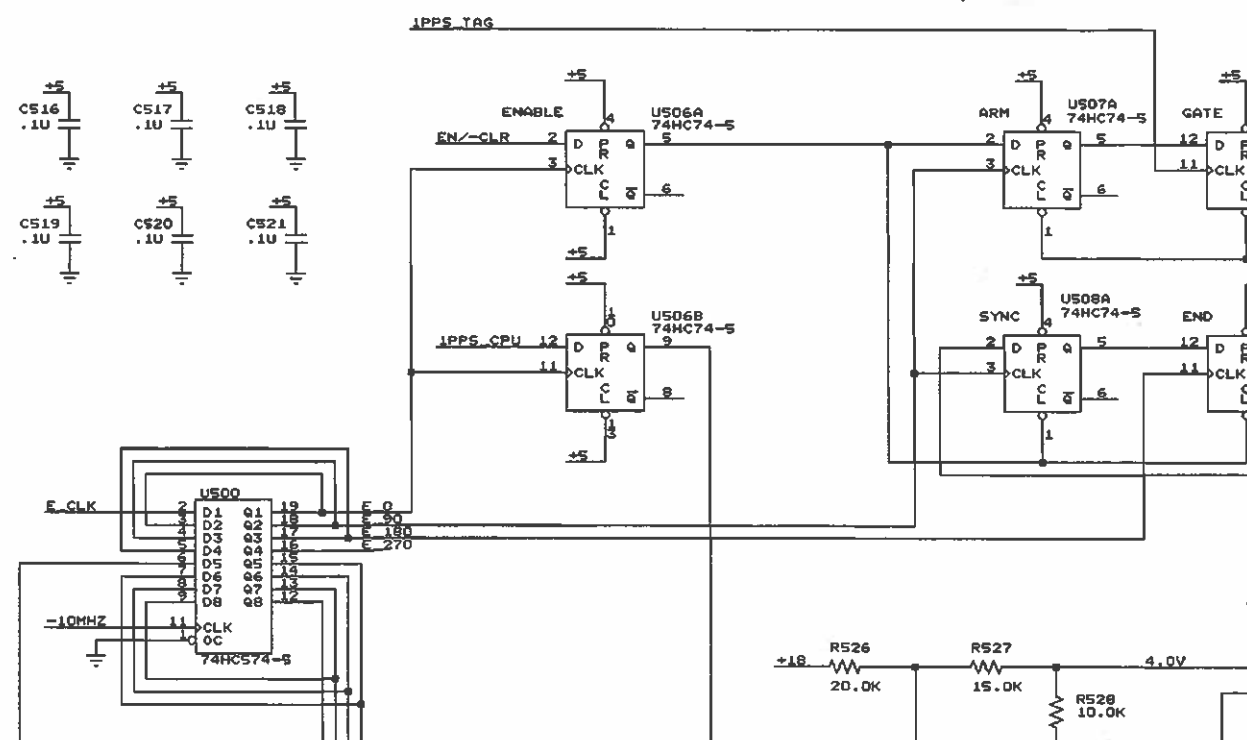
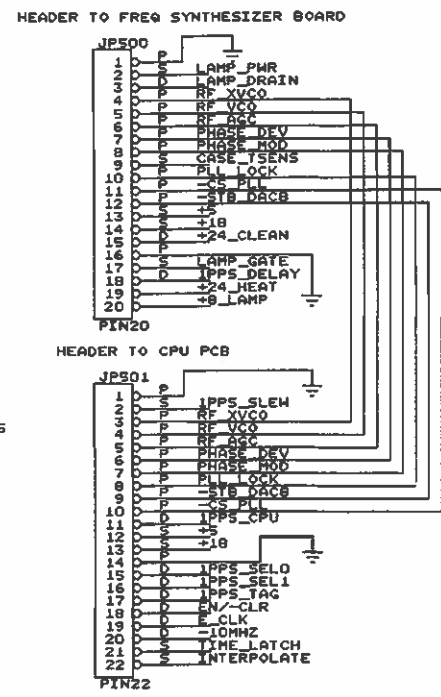
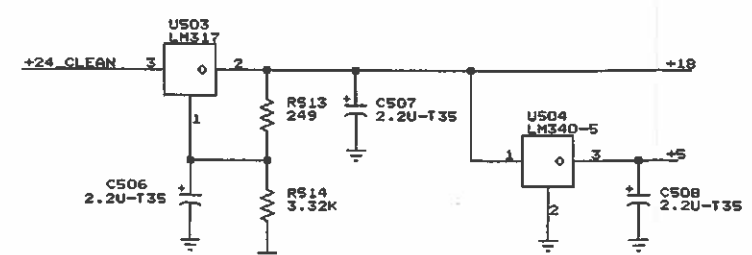
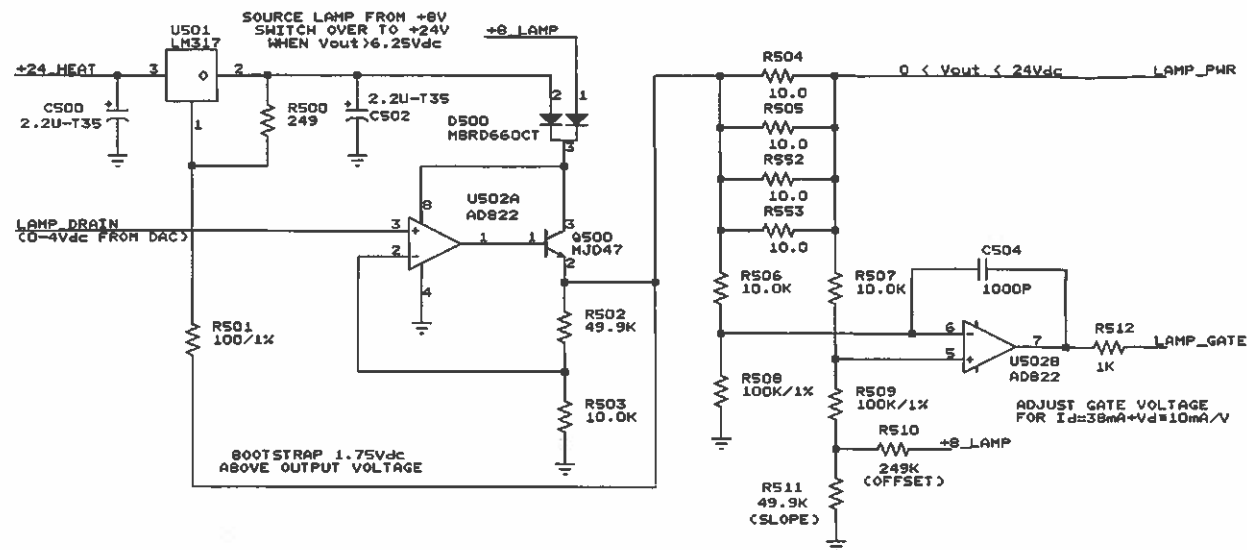
SOCKET FOR BOTTOM (POWER SUPPLY) BOARD

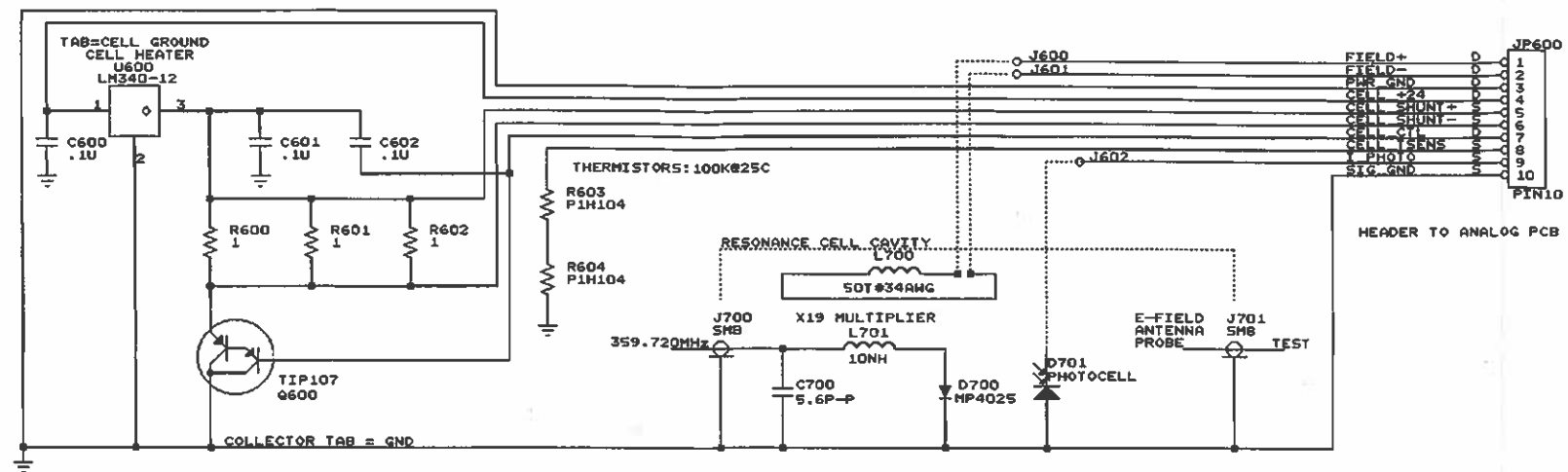
S=SOURCE OF SIGNAL ON THIS PCB  
 D=DESTINATION OF SIGNAL IS THIS PCB  
 P=PASS THROUGH OF SIGNAL ON THIS PCB

74HC PARTS ON THIS PAGE HAVE POWER CALLED VCC.

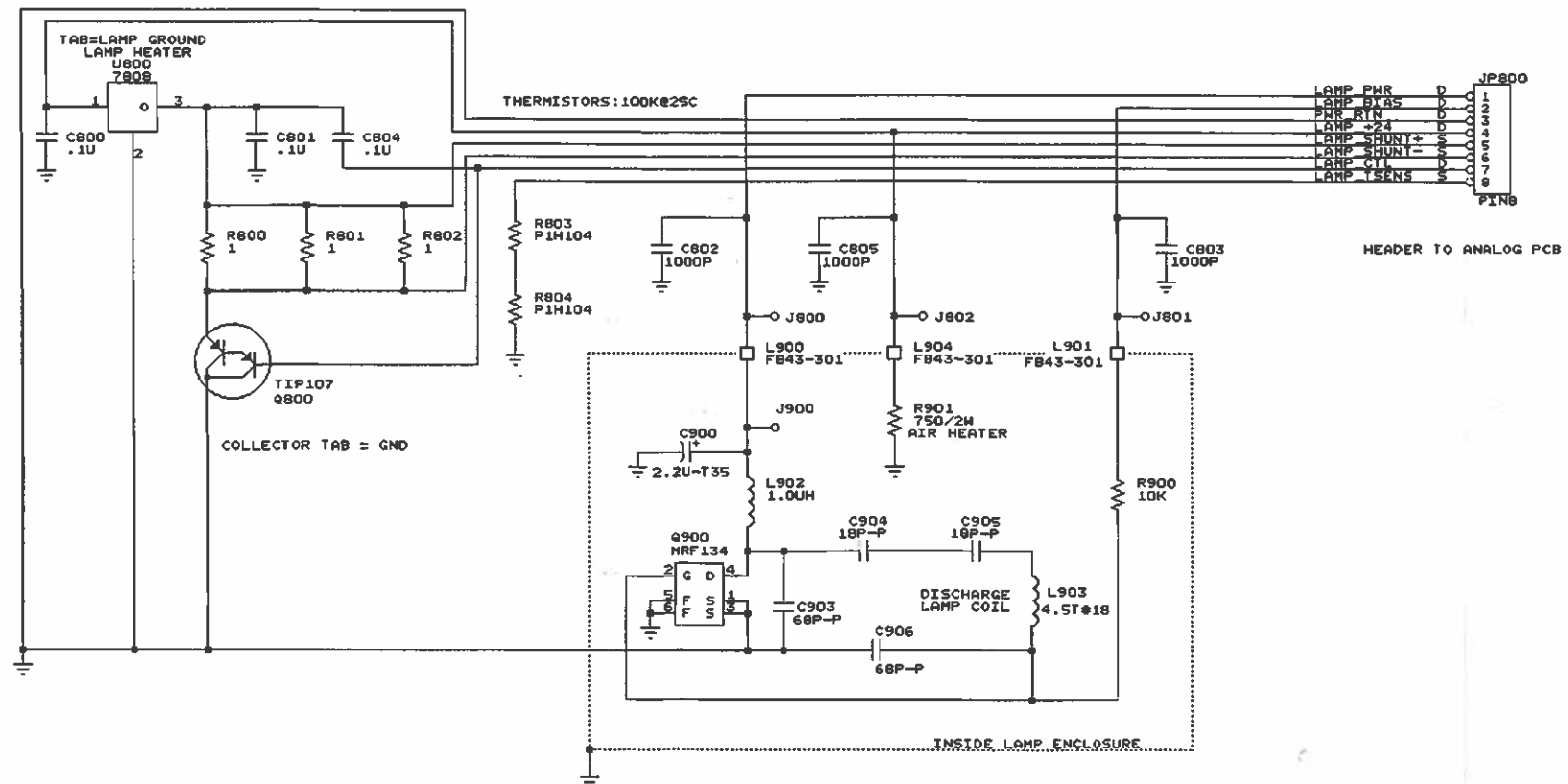
STANFORD RESEARCH SYSTEMS	
Title	MICROCONTROLLER, A/D's and D/A's (SIDE)
Size	Document Number
C	RB_F3
Date: September 26, 1997	Sheet 3 of 7





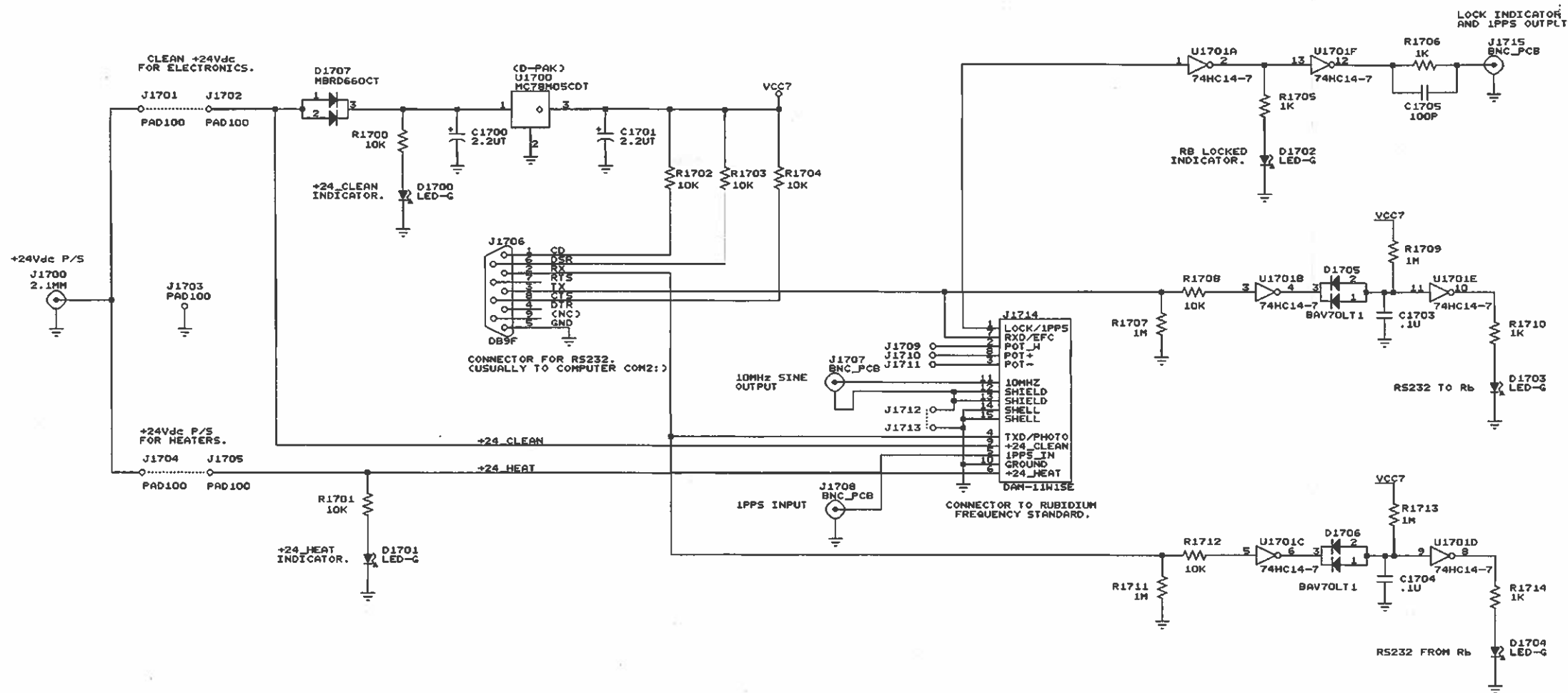


COMPONENTS INSIDE THE RESONANCE CELL CAVITY ARE SHOWN FOR REFERENCE ONLY AND DO NOT RESIDE ON ANY PRINTED CIRCUIT BOARD



REFERENCE DESIGNATORS:  
 600's ARE PART OF CELL HEATER  
 700's ARE INSIDE RESONANCE CELL  
 800's ARE PART OF LAMP HEATER  
 900's ARE PART OF DISCHARGE CIRCUIT  
 S=SOURCE OF SIGNAL ON THIS PCB  
 D=DESTINATION OF SIGNAL IS THIS PCB  
 P=PASS THROUGH OF SIGNAL ON THIS PCB

STANFORD RESEARCH SYSTEMS		
Title	RESONANCE CELL AND DISCHARGE LAMP	
Size	Document Number	REV
C	RB_F6	F
Date:	September 26, 1997	Sheet 6 of 7



THIS IS AN OPTIONAL PCB WHICH MAY BE ATTACHED TO TEST THE RUBIDIUM FREQUENCY STANDARD. (NOT PART OF STANDARD PRODUCT)

74HC14-7 POWER = VCC7

STANFORD RESEARCH SYSTEMS			
Title	CONNECTOR INTERFACE BOARD (OUTSIDE)		
Size	Document Number	REV	
C	RB_F7	F	
Date:	September 26, 1997	Sheet	7 of 7